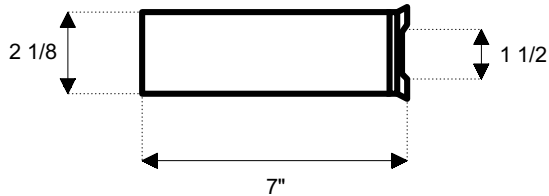


## 2400 REPLACEMENT TEETH, HOLDER & FLEX PIN



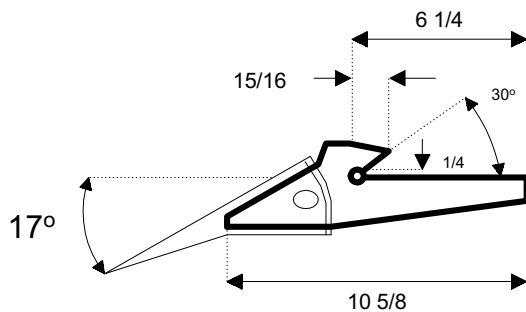
**Code:-** 240

**Weight:-** 1.58 Kg



**Code:-** 3000-W-24

**Weight:-** 2.70 Kg

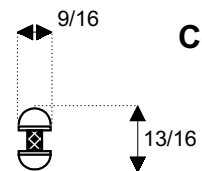
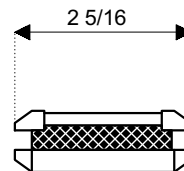


**PRODUCT CODE**

240  
24F  
24W  
24FP  
3000-W-24

**DESCRIPTION**

240 Tooth  
24 Fabricated Tooth  
24 Wide Tooth  
24 Flex Pin  
24 Shank



**Code:-** 24FP



**N.U.B. Engineering Limited**

Mosshall Road, Newhouse Industrial Estate, Motherwell, ML1 5RX, Scotland.

Telephone: +44 (0) 1 698 833873

Facsimile: +44 (0) 1 698 734322