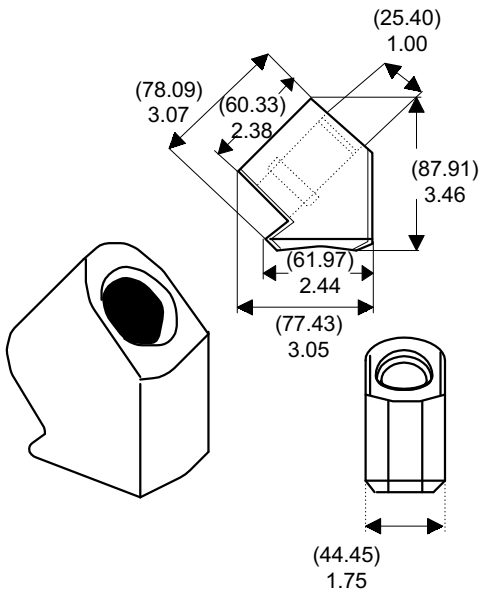


C30 BLOCK & C30 HEAVY DUTY BLOCK



Code: C30BLOCK

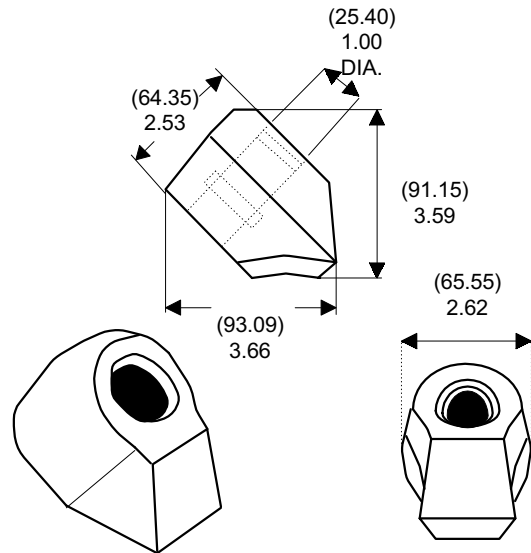
Description:

Accepts the C-31, C-31HD, C-32 & the C-33 teeth & can be easily welded with a low-hydrogen rod.

Code: C30HDBLOCK

Description:

Heavy duty design which accepts all C-30 teeth. Easily welded with 7018 or 8018 low-hydrogen rod.



N.U.B. Engineering Limited

Mosshall Road, Newhouse Industrial Estate, Motherwell, ML1 5RX, Scotland.

Telephone: +44 (0) 1 698 833873

Facsimile: +44 (0) 1 698 734322