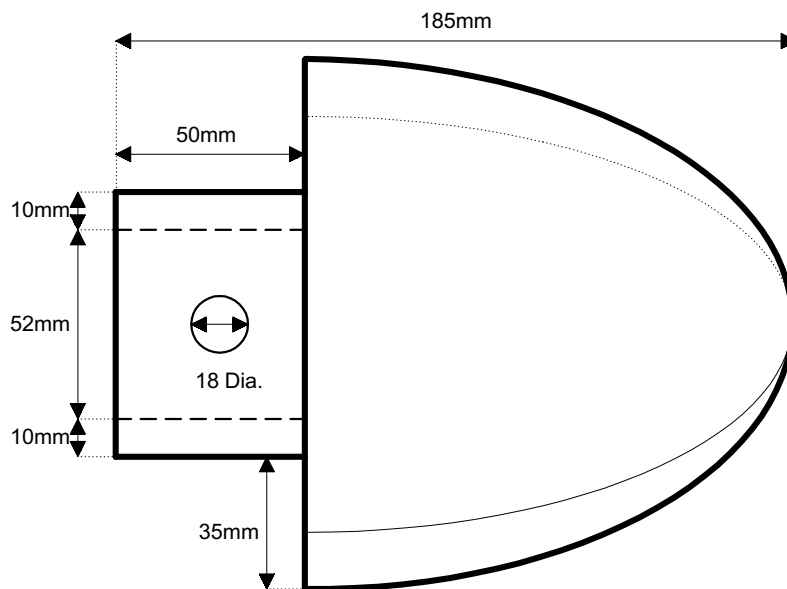
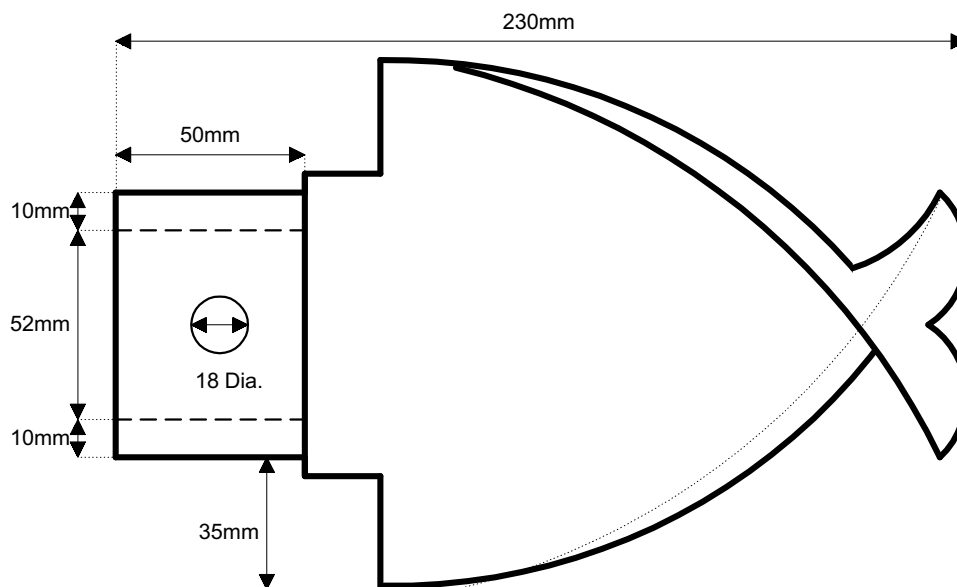


CAST PILOT (DOME & FISHTAIL)



Code: CAST PILOT

Description:
Cast Pilot (Dome & Fishtail) bit used in soft to medium materials.



N.U.B. Engineering Limited

Mosshall Road, Newhouse Industrial Estate, Motherwell, ML1 5RX, Scotland.

Telephone: +44 (0) 1 698 833873

Facsimile: +44 (0) 1 698 734322